

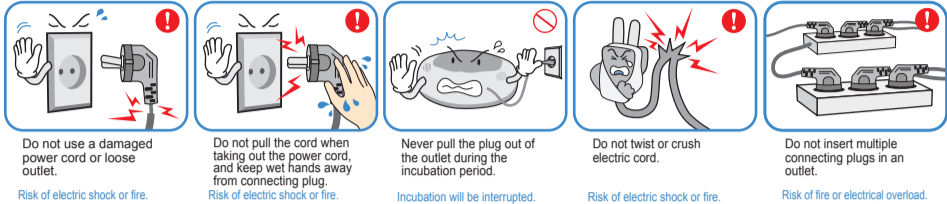
# New Rcom 20 USER'S MANUAL

PX-20(Standard) www.R-com.co.kr

## 1. Safety Cautions

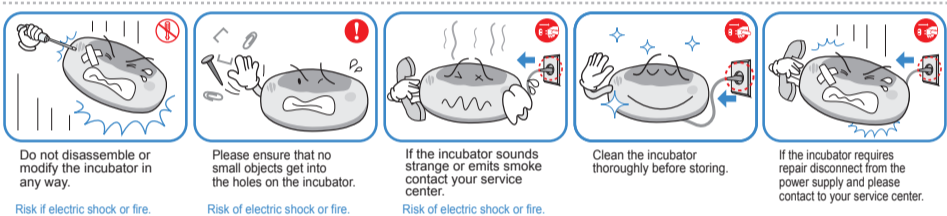
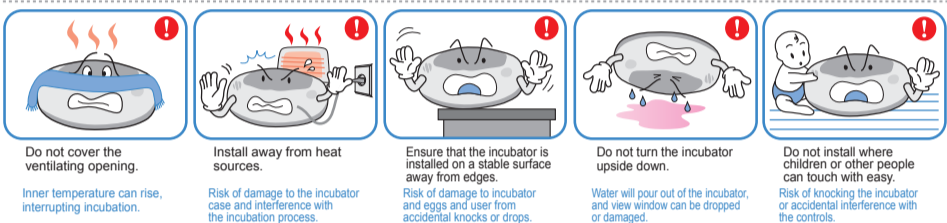
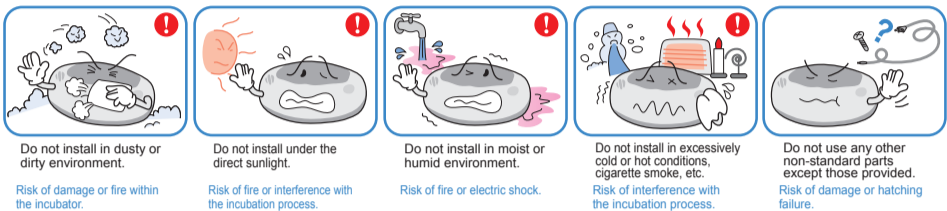
### Electrical hazards

**CAUTION** Be careful the details below when you use.



### Setting Cautions

**CAUTION** Be careful the details below when you use.

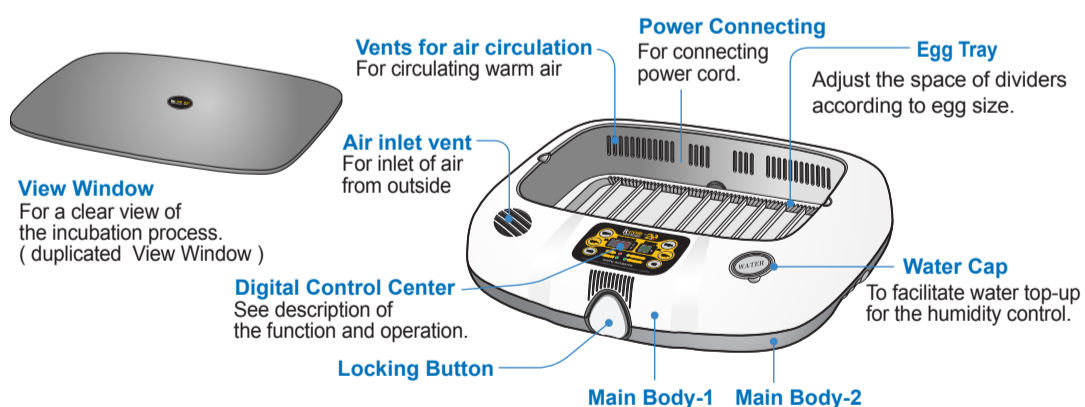


### Cleaning Cautions

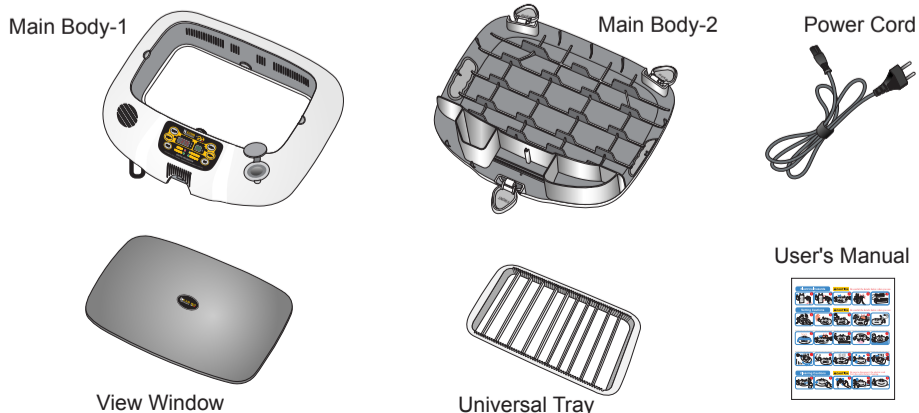
**CAUTION** Be sure to disconnect the electric cord from the outlet before cleaning.



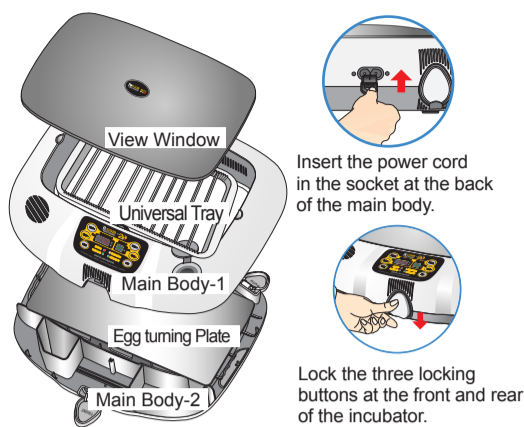
## 2. Identification of Parts



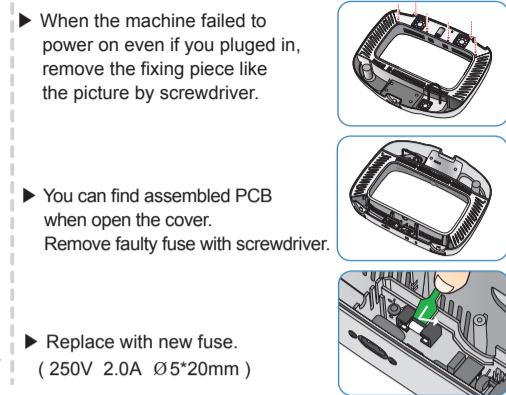
## 3. Basic Components



## 4. How to Assemble



## 5. How to Replace Fuse



## 6. Before use

▶ Insert the electric cord in the connecting socket at the back of the Main body and put the power cord into the outlet. The display will come on.

**Tip** There can be some odor the first time you use the incubator, that is normal.

▶ Open the watercap and fill the hole with clean water. And, refill water after 5 min. The styrofoam ball floats on and blocks the hole when full. (Humidity goes down temporarily, in case you refill water under incubation period.)

**!** You should stop to fill in the water as soon as the Styrofoam ball floats on. The ball will block the hole when full. After filling up with water, never shake or turn over the main body of the incubator.

**Tip** Check the water level every three days and refill fully on incubation period. The light for water top-up can remain for a while after you filled up.

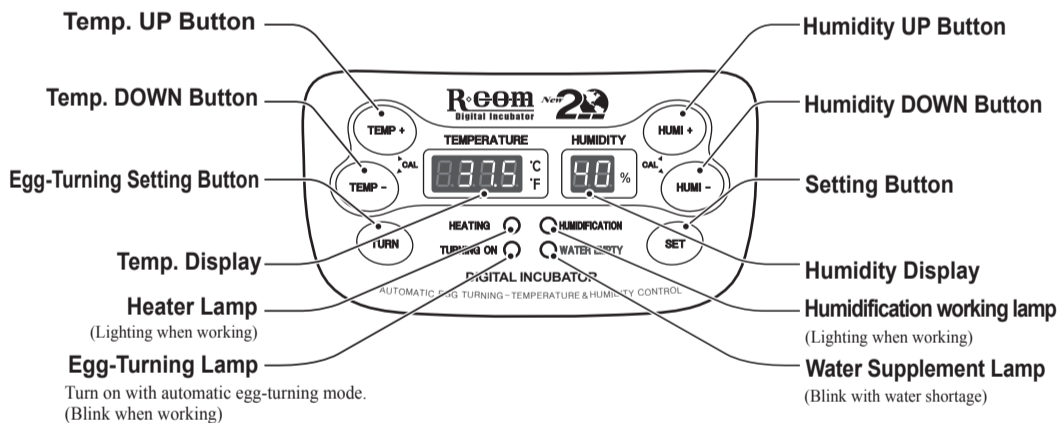
▶ Place your eggs and cover the view window.

**!** Be careful to close the view window completely; if not, the temperature will fail to go up. (It will cause alarm.)

**Tip** The egg to incubate must be a fertilized egg.

**!** You can turn off humidification function when you don't fill water with your incubation or when you need low humidity incubation under 40%. (Water supplement alarm will turn off with this function. Refer to "How to turn OFF humidification function.")

## 7. Operation Part



## 8. Easy Function Operation

REFER TO "HOW TO START INCUBATION" FOR MORE INFORMATION.

Function	How to Operate	Explanation
Temp. Setting	SET → HOLD → TEMP + OR TEMP -	Setting of required temp.
Humidity Setting	SET → HOLD → HUM + OR HUM -	Setting of required humidity.
Egg-Turning Setting	SET → HOLD → TURN	Egg-Turning Setting / Cancellation
Cels. / Fahr. interchangeable	TEMP + + TEMP - → CA → SET → °C ↔ °F	How to change Cels. or Fahr.
Incubator Initialization (Factory Setting)	SET + POWER IN → rSt	Initialization
How to turn off Humidification Function	SET + HUM - → "OFF"	In case of low humidity incubation

\* If you want to change setting value, keep pressing "SET" button and change the value.