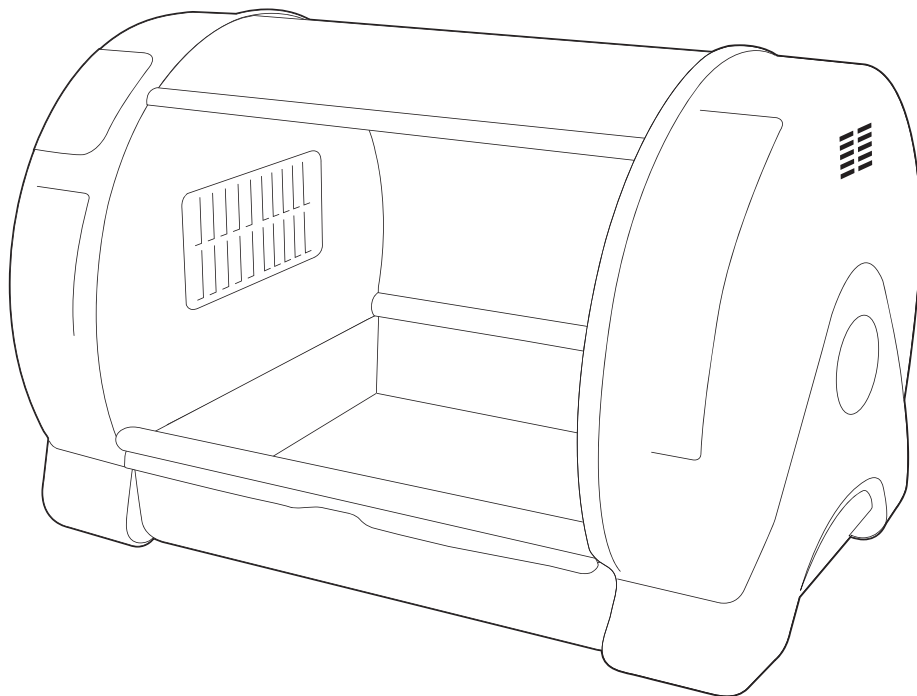


BROODER

User's Manual

Model : MX-BS500, MX-BS500(N) / MX-BL500, MX-BL500(N)
MX-B60N / MX-B90N



AUTOELEX CO.,LTD.

To improve the performance of the product, specifications are subject to change without prior notice.

Contents

How to use BROODER 60, 90

1. Introduction	
(1) BROODER 60, 90 Introduction	3 ~ 7
(2) Safety precautions	
(3) Identification of parts and composition	
(4) Name & Function of operation parts	
2. Before using	
(1) Installation environment	8 ~ 12
(2) Installation method + How to connect auxiliary devices, Instructions for installing build rack	
(3) How to turn ON/OFF	
(4) Dew Condensation	
3. Function Settings	
(1) Return to Factory Setting	12 ~ 16
(2) Temperature, Humidity Setting	
(3) How to turn the nebulizer function ON/OFF	
(4) How to control the brightness of Indor(Dimmer)	
(5) How to turn ON/OFF Sound	
(6) How to turn ON/OFF ANION	
(7) How to change Centigrade/Fahrenheit	
(8) How to manually operate the water pump	
4. How to Clean	
	17 ~ 18
5. Product Information	
(1) Troubleshooting(FAQs)	19 ~ 23
(2) Specification / Guide to Consumer Damage Compensation	
※ Difference depending on the ambient temperature and humidity	

 **The manufacturer, or the vendor does not take responsibility for any loss of animal life or property damage caused by user's carelessness, remodelling/painting, changing purpose of use, outage, and etc. In order to avoid malfunctions, please use after carefully reading the user's manual.**

Marks and Symbols



CAUTION: a caution sign about mistakes that may cause life loss of animals and damage to property, failure or damage etc.



Indicates prohibition



Indicates the matters that you must follow



Indicates disassembly prohibition



Indicates that the power plug should be removed from the outlet

Tip : This is a tip sign indicating notes or references that are useful to know when using this product.



CAUTION Indicates that there is a possibility of injury or material damage such as buildings or fixtures when the instructions are violated

● BROODER 60, 90

To begin with, we sincerely thank you for purchasing Autoelex's product. BROODER was developed with optimal design to create the best environment by the interpretation of air flow channel inside brooder using computer simulation and it applies the latest technology in order to automatically control the brooding environment. BROODER is designed to enable optimal setting for all environments required for brooding. For successful brooding and proper use of BROODER, please read the instruction manual carefully before using.

● Features of BROODER 60, 90

[Main Function]

- * Innovatively improve stability and durability with centralized heating system
- * Built-in air filter which removes indoor dust
- * Built in Anion activation function
- * Water pump included for humidification
- * Reduce up to 40% of electric power consumption compare with the existing products by using PTC heater

Tip : (ANION) The reason why we feel refreshing when we are in woods or mountain is that there are much anion, the atom element with electric charge. If we get anion, it increase the vitality by accelerating metabolism of cell. And, it cleans our blood and helps recovering from fatigue, heavy sleep, and improvement of appetite.

[Easy Function]

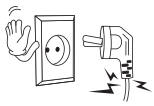
- * Automatic Temp/Humidity control and setting
- * Recessed brooding tray for easy cleaning
- * 5 stage dimmer device for indoor illumination control
- * Rotary Door
- * Heated humidification system kills germ
- * Reduce of fan noise inside of brooders and provide better pleasant environment (69dB)

[Safety Function]

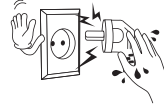
- * Nubulizer(Respiratory therapy apparatus) and Oxygen tank(Oxygen therapy apparatus)
- (Applicable model: BS-500(N), BL-500(N), MX-B60N, MX-B90N)
- * BLDC fan for optimum control of inner conditions
- * Elegant outer design and optimum inner space distribution
- * Alarm function in case of abnormal temperature
- * It is possible to stack machine which enable to provide space efficiency (Brooder standing - Option)

● Electrical hazards

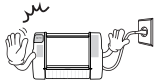
⚠ CAUTION



! Do not use a damaged power cord or loose outlet. Risk of electric shock or fire.



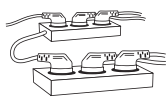
! Do not pull the cord when taking out the power cord, and keep wet hands away from connecting plug. Risk of electric shock or fire.



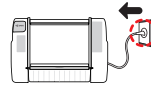
⊘ Never unplug when using the unit. Operation interruption may result in loss of life inside the unit.



! Do not twist or crush electric cord. Risk of electric shock or fire.



! Do not insert multiple connecting plugs in an outlet. Risk of fire or electrical overload.



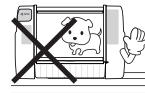
! If the machine will be stored for a long time, please clean it before and after storage. Accumulated dust can pose a fire or shock risk.

● Installation, use related precautions

⚠ CAUTION



! Do not put a person in the product. He/she may be hurt or killed.



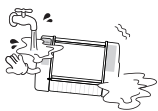
! Do not turn off the power while your pet is in the device. It may be hurt or killed.



! Do not install in dusty or dirty places. Dust or foreign matter may cause electric shock or fire.



! Do not install the product in direct sunlight. There is a possibility of discoloration of the case and rapid temperature rise may cause death of the animal.



! Do not install in wet or humid places. There is a risk of electric shock or fire if water gets inside.



! Avoid places that are too cold or hot and do not place fire or heat machines near the product. There is a risk of fire.



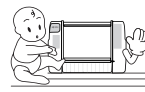
! Do not place the power cord near sources of heat. The coating on the cord may melt and cause fire or electric shock.



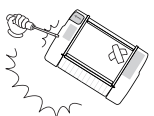
! Please install it firmly when installing on cabinet or shelf. Falling or a fall of the product may cause malfunction and serious injury.



! Do not place the product upside down. The product may be damaged.



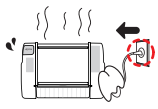
! Do not allow children to climb on the product. A fall of the product may cause injury or death.



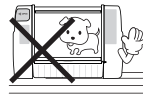
⊘ Never disassemble, repair or modify the product as you please. It may cause electric shock and fire. If you need repair, please contact a service center.



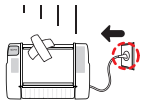
! Be careful not to let foreign substances into the external hole of the product. It may cause electric shock, fire, and physical injury.



! If any unusual sounds or smoke appear on the product, unplug it immediately and contact a service center. It may cause electric shock or fire.



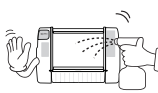
! Do not use for high-priced animals.



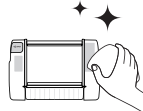
! If you drop it or the case is broken, disconnect the power plug and contact the service center. Using as it is may cause electric shock or fire.

● Cleaning related precautions

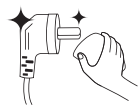
⚠ CAUTION



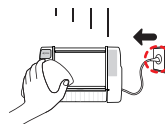
! Do not spray cleaning chemicals directly onto the interior or exterior of the product. Spraying directly may increase the possibility of discoloration, cracking, peeling of the printed surface.



! Clean the incubator by a soft cloth with a neutral detergent.



! Wipe the dust on the power plug's pins and contacts with a dry cloth. It may cause electric shock or fire.



! When cleaning, be sure to remove the power cord and clean it with a soft cloth. Do not use chemicals such as wax, benzene, alcohol, thinner or lubricant etc.



! At least once a year, please contact our service center or customer service center to check the machine. Failure to clean dust inside the product for a long period of time may cause fire or malfunction.

● Identification of Parts

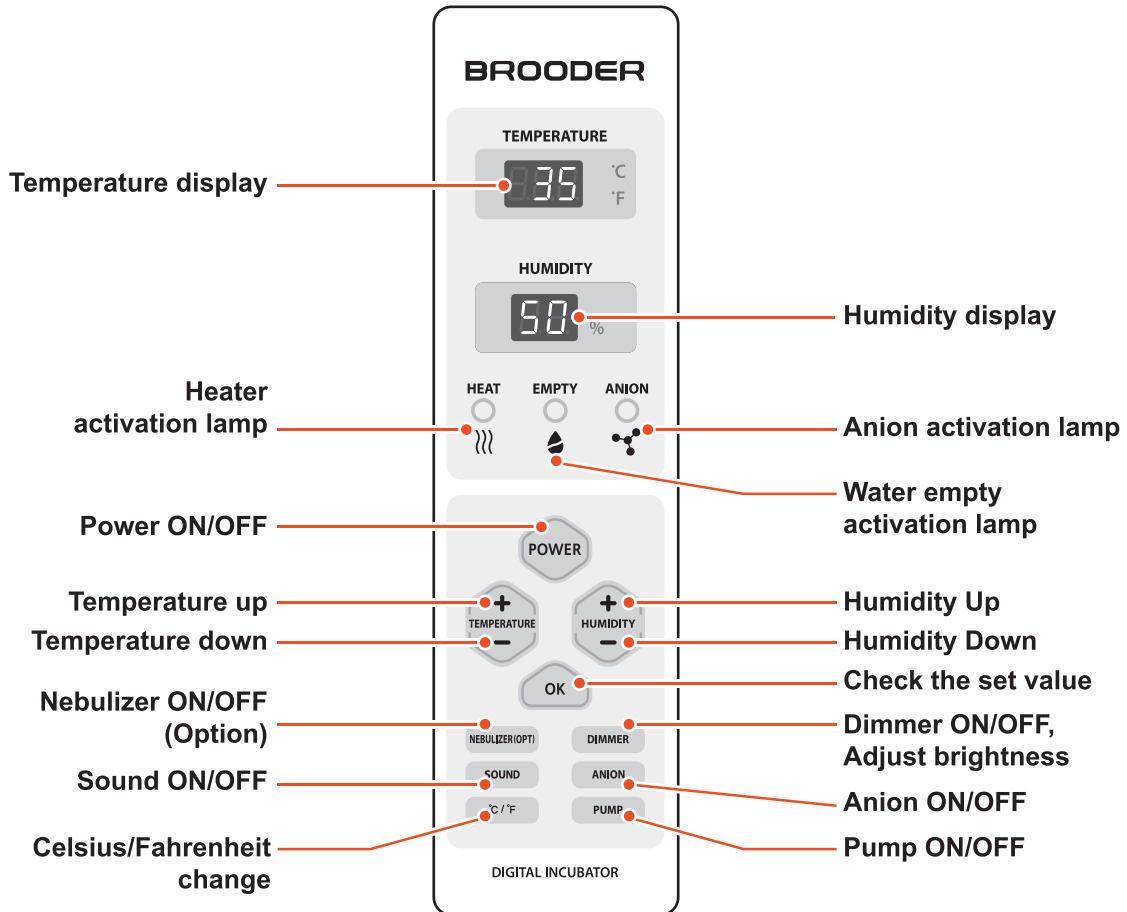
Serial NO. is listed on the back of the product (e.g. RCM0000000). This is the unique product number. If it is damaged, you cannot receive A/S.








● Basic Components

Manual	Power cord	3 air filters (Mounted)	Silicon tube (1.5M)	O2 socket, Nebulizer socket
Brooder standing (Sold Separately)	Nebulizer (Sold Separately)	Stainless mesh (Sold Separately)	Secondary tray (Sold Separately)	Oxygen tank (Sold Separately)

● Name & Function of Operation Parts



● Easy Function Operation

Power ON/OFF	ON : Press the power button once. OFF : Press and hold the power button for 2 seconds.		
Temperature setting	 Adjust to the desired temperature by pressing the +/- button.	How to turn off heater manually	 H.OF (HEATER OFF) Keep pressing Temperature Down button until "H.OF" comes out.
Humidity setting	 Adjust to the desired humidity by pressing the +/- button.	How to turn off ventilation fan manually	 A.OF (FAN OFF) Keep pressing Temperature Down button until "H.OF" appears. Then, press once again so that "A.OF" appears.
Factory setting	① Disconnect the power cord. ② Whilst holding-down the POWER button ③ Re-connect the power cord. ④ "RST" will show on the display.	How to turn off humidification device manually	 U.OF (HUMIDITY OFF) Keep pressing Humidity Down button until "U.OF" comes out.

2. Before using

(1) Installation environment
(2) Installation method

● Installation environment

Be careful the details below when you use. **CAUTION**

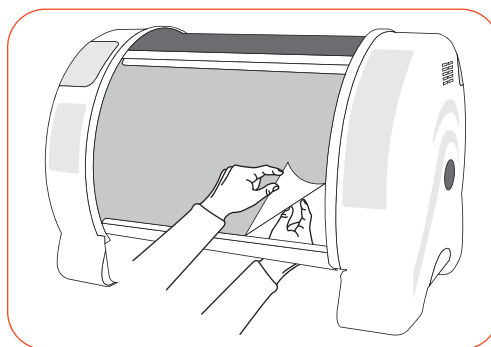
Brooder is designed and manufactured to provide convenient use to customers through latest digital control technology. However, the following requirements must be followed, otherwise it may have fatal effects on the animal. The inside environment of the Brooder is largely affected by the installation environment and the equipment is recommended to be installed in a place where there are minimal noise and shock. An environment with small temperature difference with the surrounding temperature ranging from 20 to 25°C (68~77°F) and humidity level of 40~60% is recommended. Careful monitoring is required as the temperature can drop rapidly during the night time. The Brooder must not be exposed to direct sunlight.

● Installation method

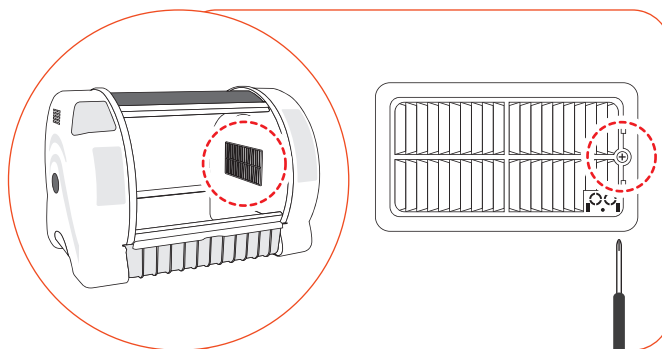
! Please operate the equipment sufficiently and check to make sure that the equipment is functioning properly before putting in the animal.

※ The equipment may not be automatically controlled by the environment condition it was set up with if it is not in the outside environment condition of where the product was installed (Temperature: 20~25°C (68~77°F) / Humidity: 40~60%).

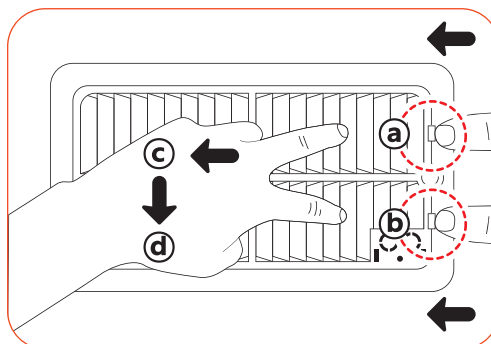
▶ Remove the vinyl cover on the front of the sight class, then take out the tray and slowly remove the vinyl cover on the inside.



▶ Please loosen a screw of right side of filter by using a screwdriver.



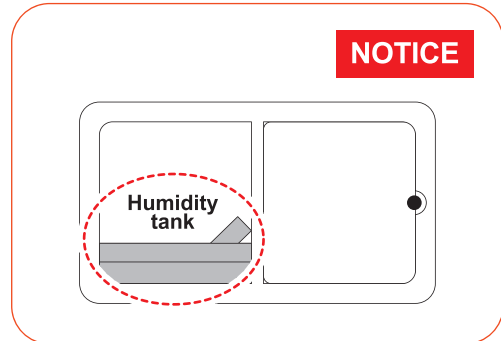
▶ Separate cover by bending Picture ①, ② to the left at the same time and using your fingers or a screwdriver, then pulling in the direction of Picture ③ and pulling to the front of direction in Picture ④. (using tools will help).



2. Before using

(2) Installation method

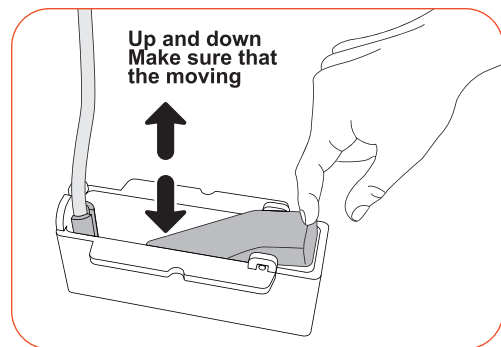
- ▶ Please check end of floate switch [Fig-2] in humidity tank [Fig-1] whether it moves to up and down by using your fingers.
When the products are stored long time, the float switch may not work smoothly.
- ▶ After using Brooder, if you don't use Brooder for about one month, please check end of floate switch whether it moves to up and down by using your fingers.



[Fig-1]

⚠ If float switch doesn't work properly, the water may overflow.

- ▶ After checking float switch, please assemble a filter like the reverse of disassemble.



[Fig-2]

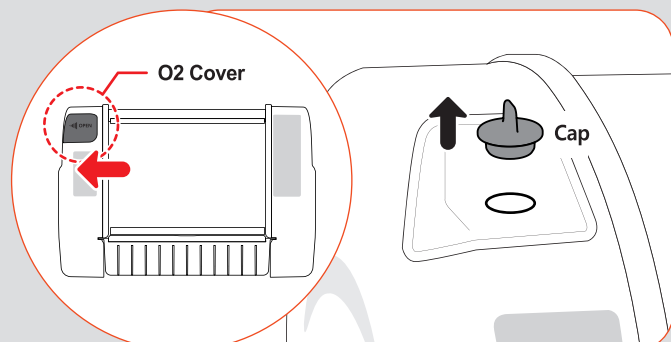
How to connect auxiliary devices

- Nebulizer/Oxygen tank must be purchased independently.

[Preparations]

- ▶ Slide to the left to open the O2 cover, then open the cap.

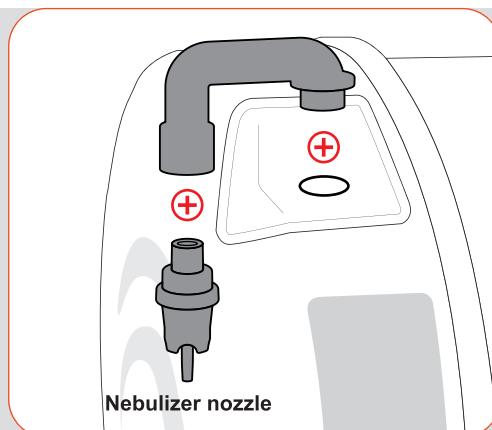
⚠ Please put the cap and O2 cover back when you don't use the tank or nebulizer.



[How to connect Nebulizer]

- ▶ Please connect the short side of the nebulizer socket with the machine, and long side with the nebulizer nozzle.

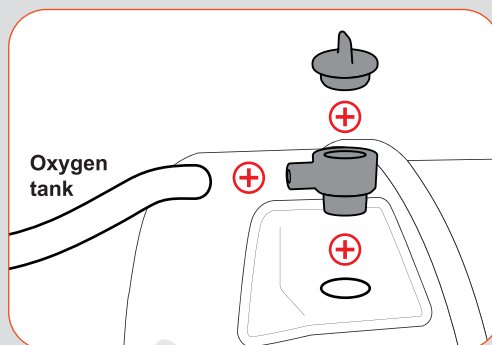
! Nebulizer Socket may be loose if you use the nebulizer from other brands.



[How to connect O2]

- ▶ Please connect the O2 socket with the machine and seal the top part of the socket with a cap.

! Please assemble the socket tightly, or Oxygen would be short in supply.

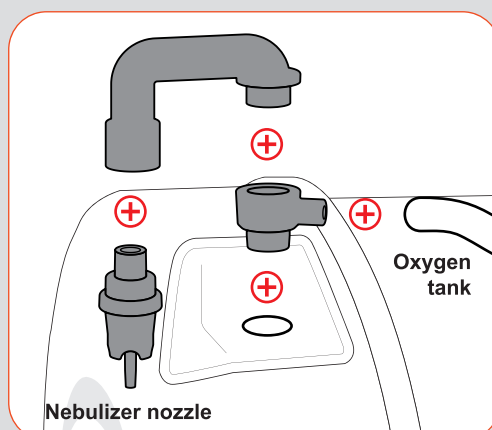


[How to connect oxygen tank and nebulizer together]

- ▶ Firstly, please connect the O2 socket with the machine, then connect the nebulizer socket. Connect the nebulizer nozzle with the nebulizer socket.

! Please connect the Oxygen tank with the O2 socket, and nebulizer with Nebulizer socket.

! Nebulizer Socket may be loose if you use the nebulizer from other brands.



2. Before using

(2) Installation method

[Instructions for installing build rack]

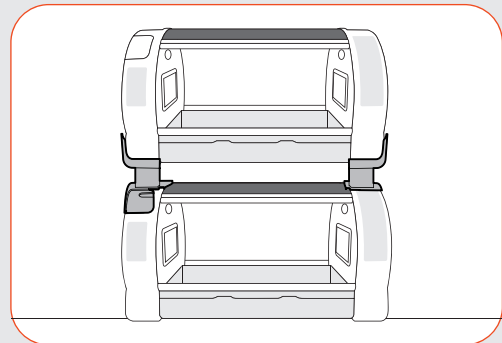
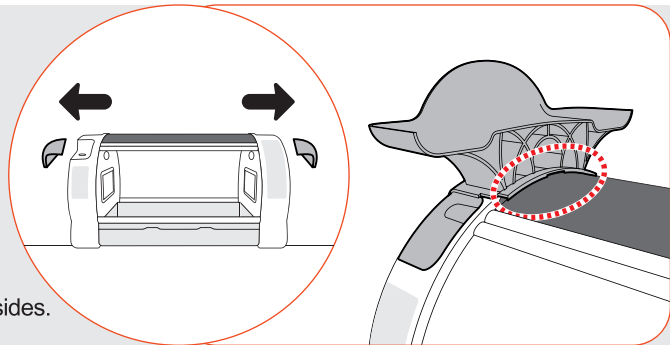
- Build racks are sold separately. Same models can be stacked on top of each other.

- ▶ It is recommended that you install the product horizontally on a sturdy table with a height of 50cm or higher.
- ▶ Remove covers on both sides of the product.
- ▶ Plug the build rack into the cover space on both sides.
- ▶ Push into the circle indicated on the product until the build rack is properly interlocked and you hear a click sound.

! Do not stack more than two levels when installing the build rack as it might collapse. Do NOT install in surroundings where children are present. In case you must, close attention is required.

- ▶ Stack the product on top of the build rack (2 levels).

! Assemble while the product cord is unplugged and do NOT load while the inside is wet.

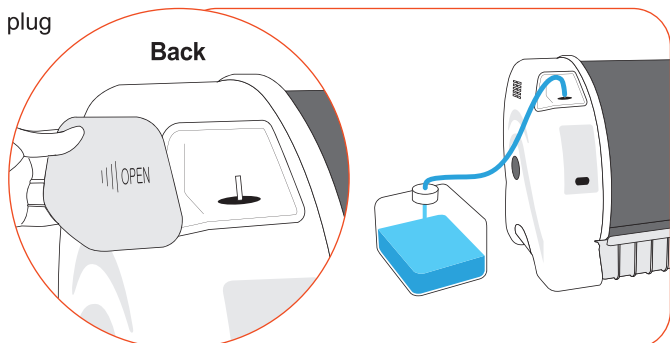


- ▶ Open the water cap on the back right side and plug the silicon hose into the nipple as in [Fig-A], then plug the tip into a filled humidifying water container (sold separately). Fill the water case after installing the product in a place you want, since moving the product when it is filled with water may cause product malfunction.

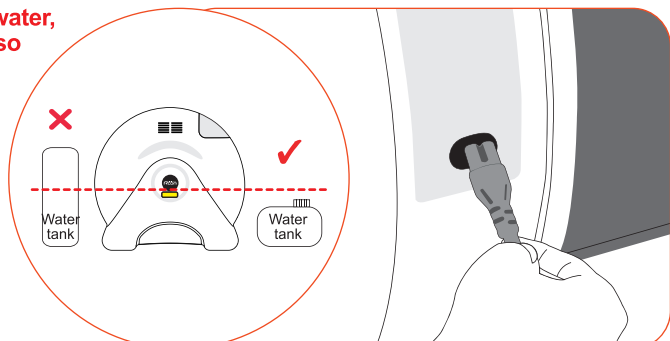
! Do not place the humidifying water container on top of the Brooder when using.

! If you use Mineral water or Tap water for humidification, the humidity tank can be broken easily because of water scales. We strongly recommend you to use only "DISTILLED WATER" for your machine, and Autoelex Co.,Ltd & our distributors do not indemnify for warranty service not only if you have any problem with using mineral water, regular water, tap water and the like but also if you had improper management or handling for your machine. In this case, Autoelex Co.,Ltd. & our distributors will charge for your after service.

! Water can leak onto the floor if the height of the water container is higher than the sticker on the side.



[Fig-A]



[Fig-B]

- ▶ Connect the power cord at the back of the machines (as shown in Fig-B)

● How to turn ON/OFF

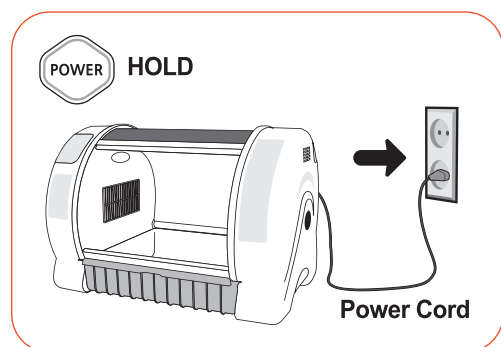
- ▶ **Start** : Press the power button once to turn on.
- ▶ **Finish** : Press and hold the power button for 2 seconds to turn off.
- ▶ If you wish to continue with the previous settings/conditions, reconnect the power and press the power button once.
- ▶ You can operate the equipment on minimal consumption power if you turn off the temperature function and humidity function.

● Dew Condensation

- ▶ In case of large temperature difference between equipment interior and installation environment, water can leak onto the window, tray or the floor. This is a natural phenomenon and may happen more severely under more humid conditions. To minimize condensation effects, the equipment must be installed in a place where the temperature difference between equipment interior and installation environment is small.
 - ▶ How to reduce the internal condensation :
 1. Please clean up interior floor frequently.
 2. Please don't keep the equipment in cold place. [Recommended temperature of installation place : 28°C (82.4°F)]
 3. In case of Bird Brooder, Please use sawdust or the shredded newspaper as a interior floor material.
 4. In case of Pet Brooder, please open the window about 1~2cm.
 - ▶ If the equipment is turned off in the middle of operation, humidity remaining inside the equipment may cause water drops (dew) to stick on to the surface. To prevent this, the equipment should be turned off after the internal humidity is eliminated by emptying the humidifying water container and running the equipment for about one hour before turning it off.
 - ▶ If not using the equipment for a long period of time, open the window on equipment and dry the interior of the equipment for about a day in a well-ventilated place.
- ※ The electronic areas of the equipment are treated with special coatings against humidity.

● Return to Factory Setting

- ▶ Used to initialize equipment to a setting when it was first released from the factory in case where the input value is changed due to mal-operation of equipment.
- ▶ Whilst the power is disconnected, press and hold the power button, then continue to hold whilst you reconnect the power. The temperature display will read "rst" and the unit will return to factory settings.



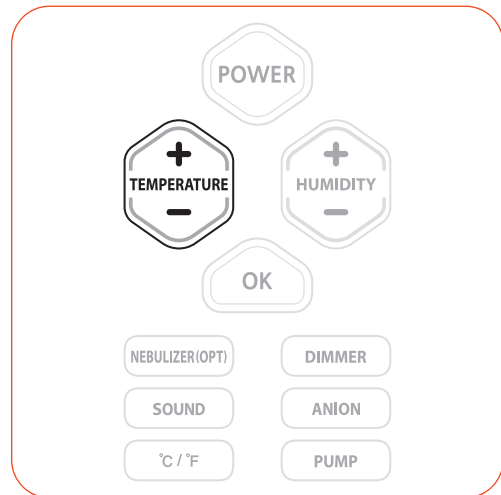
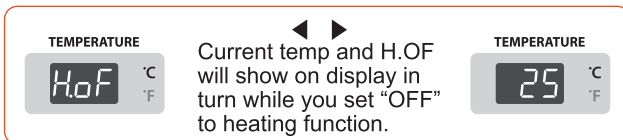
● Temperature Setting

- ▶ Set the temperature using the TEMP+/TEMP- buttons. The selected value is automatically entered when the button is released.

[Instructions for setting heating function ON/OFF]

ON : Set the temperature to 20°C or higher by pressing the Temp+ button. [Default : ON]

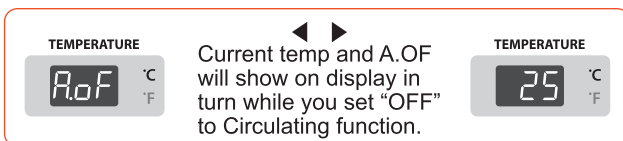
OFF : If the temperature setting is at 20°C, pressing the TEMP- button again will turn-off the heating function and the display will read, H.OF.



[Instructions for setting ventilation function ON/OFF]

ON : Set the temperature to 20°C or higher by pressing the Temp+ button.

OFF : Pressing the TEMP- button whilst the heating function is off will stop the ventilation function. The display will read, A.OF.



● Humidity Setting

- ▶ Set the humidity by using the HUMI+/HUMI- buttons. The selected value is automatically entered when the button is released.

[Instructions for setting humidifying function ON/OFF]

ON : Set the humidity to 40% or higher by pressing the HUMI+ button. [Default : ON]

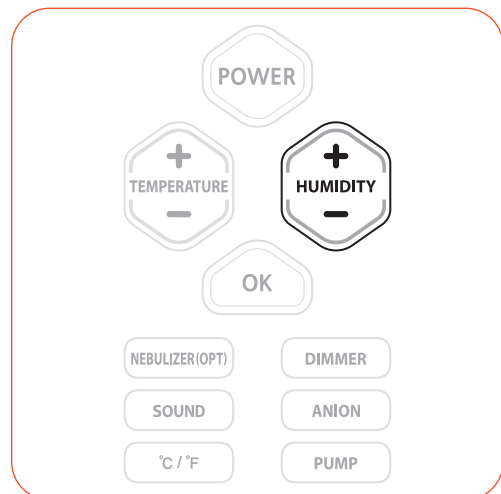
OFF : If the humidity setting is at 40% pressing the HUMI- button again will turn-off the humidifying function and the display will read, U.OF.



- ⚠ please set "off" to heating in case you do not want to activate the heating, Heating unit lifespan will be more longer.

- ※ The display unit shows current humidity level even when the humidifying function is stopped. When the ventilation fan is stopped, there might be slight deviation between the displayed humidity and the actual humidity as air is poorly circulated.

Tip : When releasing from the factory, temperature and humidity was corrected to be optimized according to international standard. If necessary, recorection is possible, however, it isn't desirable for users to correct it directly. In case that correction is necessary, please contact Autoelex homepage (www.autoelex.com → data center → Instruction manual category) or place where you purchased to inquire about it. As low price thermometer and hygrometer easy to purchase in the open market have much deviation of estimate value, it is desirable to use corrected thermometer and hygrometer for exclusive use. [thermometer and hygrometer for exclusive use – See Autoelex homepage]




Please be sure to re-fill the water when "Et" alarming on the display

3. Function Settings

(3) How to turn the nebulizer function ON/OFF
(4) How to control the brightness of Indor(Dimmer) (5) How to turn ON/OFF Sound

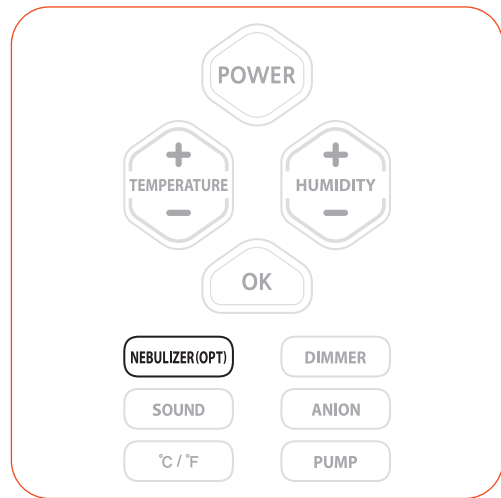
● How to turn the nebulizer function ON/OFF(Optional)

▶ To connect the nebulizer nozzle, refer to page 9 of the user manual.

 The nebulizer power supply should be connected separately.

ON : Press the NEBULIZER button to activate the nebulizer.
[Default: OFF]

OFF : Press the NEBULIZER button to de-activate the nebulizer.

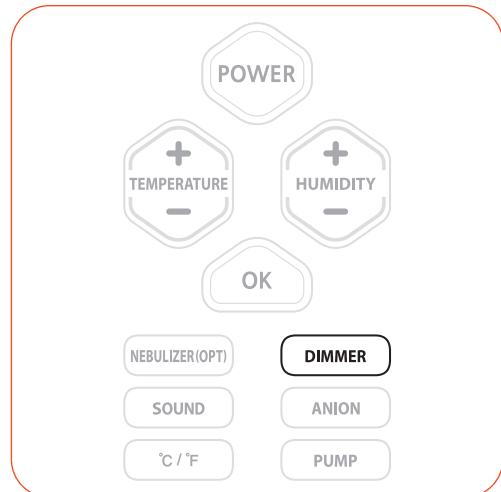


● How to control the brightness of Indor(Dimmer)

▶ Adjust brightness by using the DIMMER button.

▶ If you push the DIMMER button continuously, "OFF" will appear on the display unit and the interior lights will turn off.

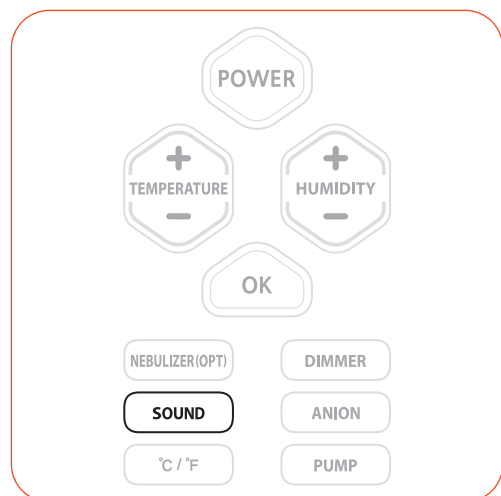
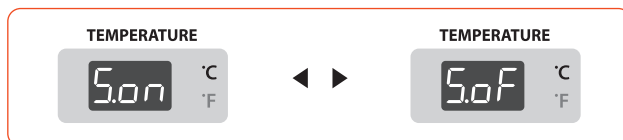
▶ Control to 5 stages of brightness
L1(Mim) ~ L5(Max)
[Default setting : L5]



● How to turn ON/OFF Sound

ON : Press the sound button to turn on all sounds.
The display will read, 'S.ON'.
[Default: ON]

OFF : Press the sound button to turn off all sounds.
The display will read, 'S.OF'.



3. Function Settings

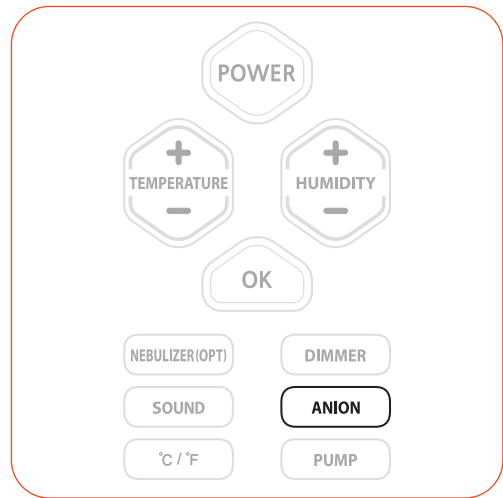
(6) How to turn ON/OFF ANION (7) How to change Centigrade/Fahrenheit (8) How to manually operate the water pump

● How to turn ON/OFF ANION

Tip : (ANION) The reason why we feel refreshing when we are in woods or mountain is that there are much anion, the atom element with electric charge. If we get anion, it increase the vitality by accelerating metabolism of cell. And, it cleans our blood and helps recovering from fatigue, heavy sleep, and improvement of appetite .

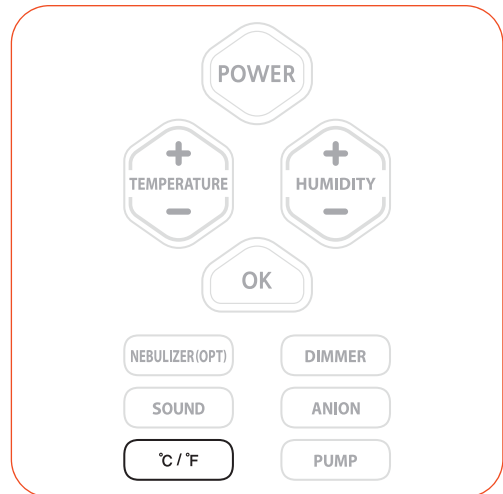
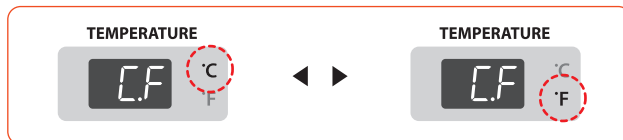
ON : One time pressing of ANION button makes the Anion lamp turns on and the Anion starts to be generated. Anion Function will be automatically turned off after an hour it has been activated.

OFF : One more time pressing of ANION button makes the Anion lamp turn off and stops the generation of Anion [Default setting : OFF]



● How to change Cels./Fahr.

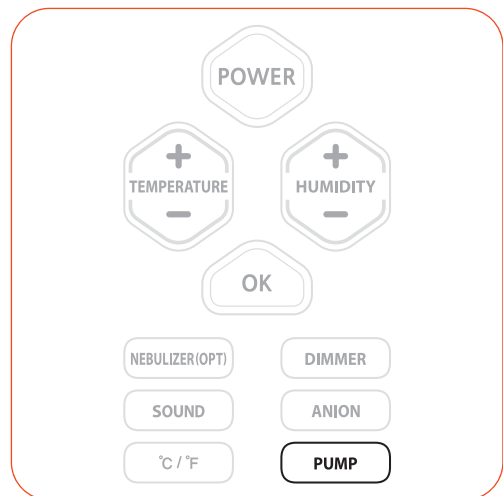
▶ If you push the °C/°F button, the LED will blink alternatively from "°C" ↔ "°F". [Default setting : °C]



● How to manually operate the water pump

▶ Press the PUMP button to activate the water pump for 6 seconds. This will fill the humidity container with water.


⚠ Water will not be filled above a certain level. So the water pump will not operate manually once the water container is full.



4. How to Clean

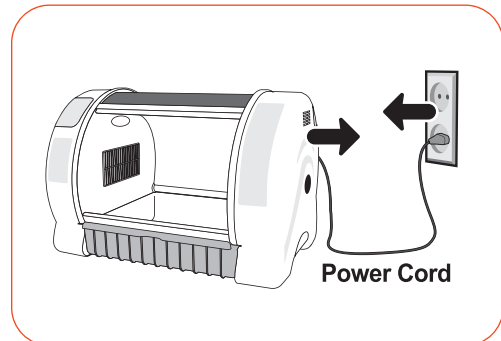
(1) Instructions for Disassembling and Cleaning

● Instructions for Disassembling and Cleaning

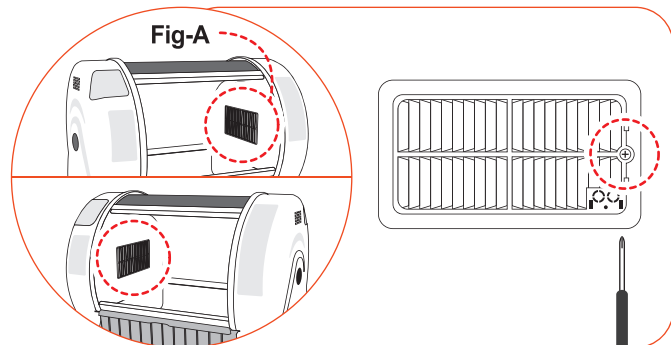
 When cleaning the filter, Please don't spray water or cleaner to the filter directly(Fig-A). If you do that, it might be cause of malfunction for humidity unit. Also it might be cause of fatal defect for T/H sensor. Therefore please wipe the filter clean with a damp cloth.

 The Brooder power cord must be separated from the power outlet.

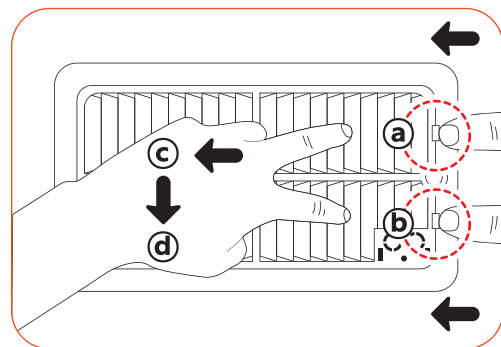
▶ pull out the power cord from the connection jack on the back and disconnect the power plug from outlet.



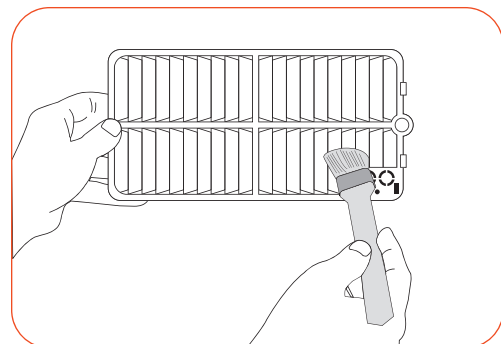
▶ Unscrew both sides of the filter section using a screwdriver.



▶ Separate cover by bending Picture (a), (b) to the left at the same time and using your fingers or a screwdriver, then pulling in the direction of Picture (c) and pulling to the front of direction in Picture (d). (using tools will help).



▶ Please wipe off the dust of separate cover by using a brush. and wash with water.



4. How to Clean

(1) Instructions for Disassembling and Cleaning

- ▶ Take out the humidifying container in the direction of the arrow. Take out the air filter, wash thoroughly with water and dry. [Fig-1]

⚠ Please do not touch the humidity unit. It can cause body burn.

⚠ Cleaning cycle of air filter and humidifying container :
Air filter should be washed with water once every week and replaced every 6 months~1 year.
(May vary according to time of usage) The humidifying container should also be washed once every week.

⚠ It is recommended to use distilled water in order to minimize debris (scale) from collecting around the humidifying container. If you wish to use different water please ask your vendor first. (Underground water and lime water cannot be used) Clean once every week. Humidifier malfunction caused by debris(scale) collected around the humidifying container from poor cleaning is considered to be the customer's fault and repair will be charged even during the warranty period.

- ▶ Please remove a connector of humidity container. Be careful that the connector ⑤ does not go into the equipment. [Fig-2]

- ▶ Take out float ⑥ by slightly spreading using your hand and clean the scale inside humidifying container. [Fig-3] (Clean once every week)

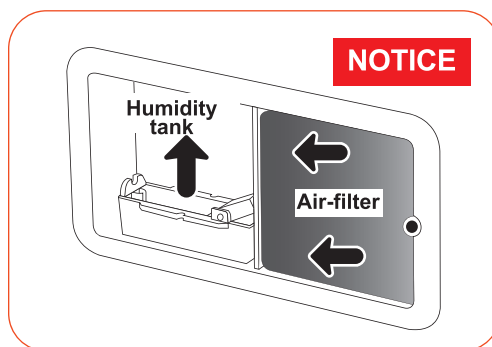
- ▶ Thoroughly clean the inside of the humidifier once every week. If not cleaned well the water level sensor (float switch) will not work and cause malfunctions. (Repair for humidifier malfunction due to poor cleaning will be charged even during the warranty period)

- ▶ Plug silicon tube into ⑧ of humidifier in [Fig-4].

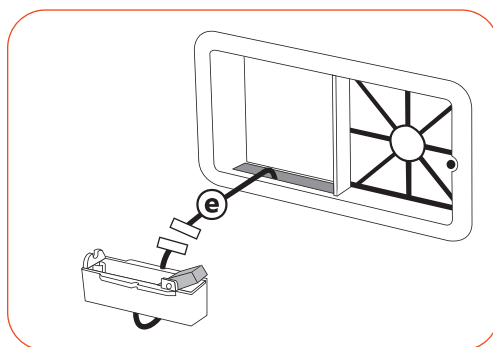
- ▶ When cleaning products interior, after removing trays, Please polish inner parts with a soft cloth.

⚠ Do not clean the incubators with benzene or thinner, it can cause modify or bleach.

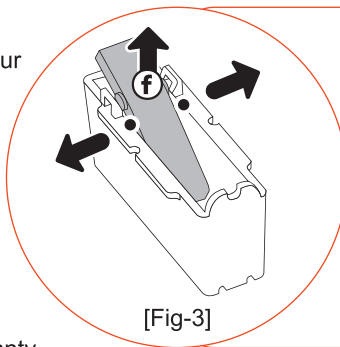
- ▶ Assemble in the reverse order of separation and store.



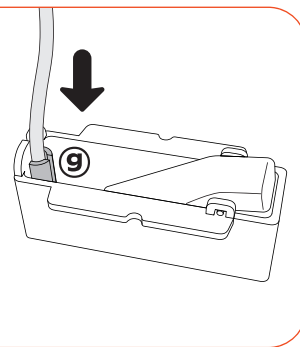
[Fig-1]



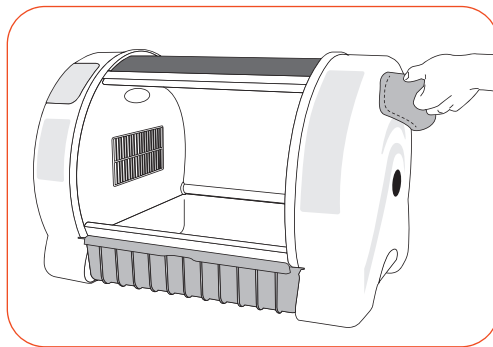
[Fig-2]



[Fig-3]



[Fig-4]



● Troubleshooting

All our digital products of Autoelex Co., Ltd. are made by precision systems under strict quality control. But occasionally some defective products are found on the way of their distribution. If any problem occurs, then please contact Autoelex service center or distributors in your country. We will do our best to solve the problems, if any, for you. This product is designed in modular mode, so for its repair, if any, a qualified person can replace the part concerned with ease.

* Complaint Department : 82-55-337-2560

* E-mail Receipt : sales@autoelex.com

Troubles	Expected Causes (Possibility)	Countermeasures
No signs of power to the brooder.	<ul style="list-style-type: none"> ▶ Check if power cord was connected well. ▶ Check power failure. ▶ Check if plug is defective. 	<ul style="list-style-type: none"> ▶ Try to plug-in again. ▶ Check other electric and electronic product nearby. ▶ Check after moving to other socket.
When temperature is too high / When temperature is too low	<ul style="list-style-type: none"> ▶ Check set temperature. ▶ Check if FAN for air circulation doesn't rotate. ▶ Try to make factory initialization. [See 12 page] 	<ul style="list-style-type: none"> ▶ Adjust set temperature to wanted temperature. ▶ Unplug from socket and separate main body to clean FAN area for air circulation with a brush or writing brush.
When humidity is too high / when humidity is too low	<ul style="list-style-type: none"> ▶ Make sure that there is enough water. ▶ Try to make factory initialization. [See 12 page] <p><When low></p> <ul style="list-style-type: none"> ▶ Close the window again after checking. <p><When high></p> <ul style="list-style-type: none"> ▶ Check surrounding environment. ▶ please check the tray of machine is wet or not. 	<ul style="list-style-type: none"> ▶ Refill water sufficiently. <p><when low></p> <ul style="list-style-type: none"> ▶ Ensure that no foreign objects wedged in the viewing window, and will once again tightly closed. <p><when high></p> <ul style="list-style-type: none"> ▶ Please check the brooding room environment. [See 8 page]
The machine makes some noise. It is normal that the machine emits some sounds because it uses air circulation fan for working.	<ul style="list-style-type: none"> ▶ Check if there is some other object on the brooder. ▶ Check if there is some vibration on the floor or it was installed on the desk. ▶ Check if some foreign substance was attached to FAN. 	<ul style="list-style-type: none"> ▶ Remove all the objects put on the brooder. ▶ Move brooder to the safe place to install. ▶ Unplug from socket and separate main body to clean FAN area for air circulation with a brush or writing brush.
Water leaks from the machine. * In case of keeping at high humidity, there may be some dew.	<ul style="list-style-type: none"> ▶ Dew condensation is normal. 	<ul style="list-style-type: none"> ▶ Please check the brooding room environment. [See 8 page]

 Please operate the equipment sufficiently and check to make sure that the equipment is functioning properly before putting in the animal.

● Specification

1-1 Name : Rcom Bird Brooder

1-2 Model : MX-BS500, MX-BS500(N),
MX-BL500, MX-BL500(N)

1-1 Name : Curadle Pet Brooder

2-2 Model : MX-B60N, MX-B90N

Model. NO	MX-BS500, MX-BS500(N) / MX-B60N	MX-BL500, MX-BL500(N) / MX-B90N
Power	AC 100~120[V], 50/60[Hz] / AC 220~240[V], 50/60[Hz]	
Temp. Control Range	Ambient temperature ~ 38[°C] (Ambient temperature ~ 100[°F])	
Outside Environment Temp.	Optimal range : 20 ~ 25[°C] (68~77[°F])	
Humidity control	40 ~ 60[%] (Subject to change depending on the ambient environment)	
Outside Environment Humi.	40 ~ 60[%]	
Power Consumption	Average 80[W] Max. 150[W]	Average 90[W] Max. 150[W]
Product Weight	9[Kg]	9[Kg]
Product Size	(W)655×(L)470×(H)440[mm]	(W)855×(L)470×(H)440[mm]
FUSE Standard	250[V] 10.0[A] (Ø5*20[mm])	

If you register the product online using the serial number, the term of the manufacturer guarantee will extend to 2 years.

※ How to register the product online:

1. Go to www.autoelex.com
2. Click on "English"
3. Sign up for membership first, then log in using those credentials
4. Click "register products"
5. Fill in all required fields and click "Save"
6. Product registration is now completed.

※ Details required to register for the guarantee:

1. The name of the product model
2. The product serial number
3. Your purchase date
4. The name of the store of purchase

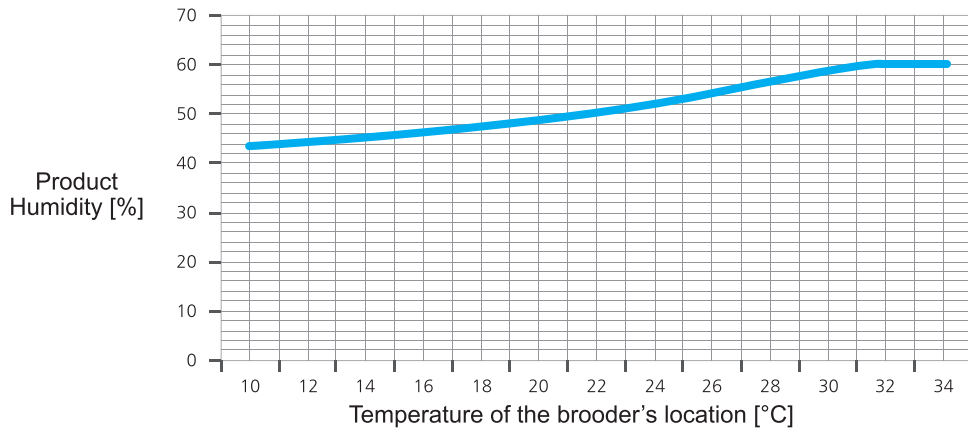
● **Guide to Consumer Damage Compensation**

This product cannot be registered as a free service extension. The warranty period is one year.

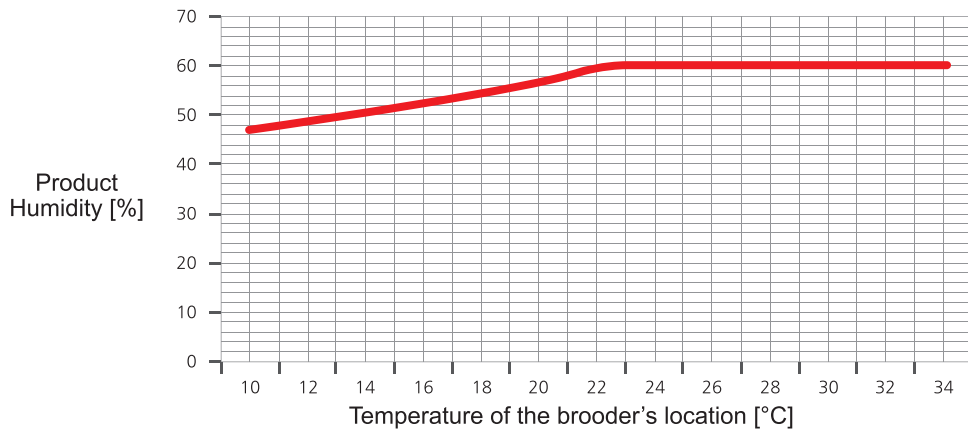
Types of Consumer Damage	Compensation History	
	Within warranty period	After the warranty period
In case of naturally occurring failure of function, performance under normal use conditions	Free repair	Paid repair
Failure of function, performance by consumer's intention, mistake <ul style="list-style-type: none"> ■ If a malfunction occurs due to natural disasters (fire, salt, gas, earthquake, flood, etc.) ■ If replacing consumable parts that are normally worn in use ■ If a fault occurs due to abnormal power supply or defective connection equipment ■ If a failure occurs due to repair or alteration made by a person other than the repair agent of the head office or agency ■ Other external causes not the fault of the product itself ■ If a fault occurs due to different rated voltage ■ If failure occurs due to use of unspecified consumables or optional parts not specified by our company ■ In case of failure or damage due to dropping when moving etc ■ Failure caused by non-cleaning ■ If the malfunction / consumer error caused by wrong operation of the machine is obvious ■ Failure during use in a manner not described in the manual 	Paid repair	

 **The manufacturer, or the vendor does not take responsibility for any loss of animal life or property damage caused by user's carelessness, remodelling/painting, changing purpose of use, outage, and etc. In order to avoid malfunctions, please use after carefully reading the user's manual.**

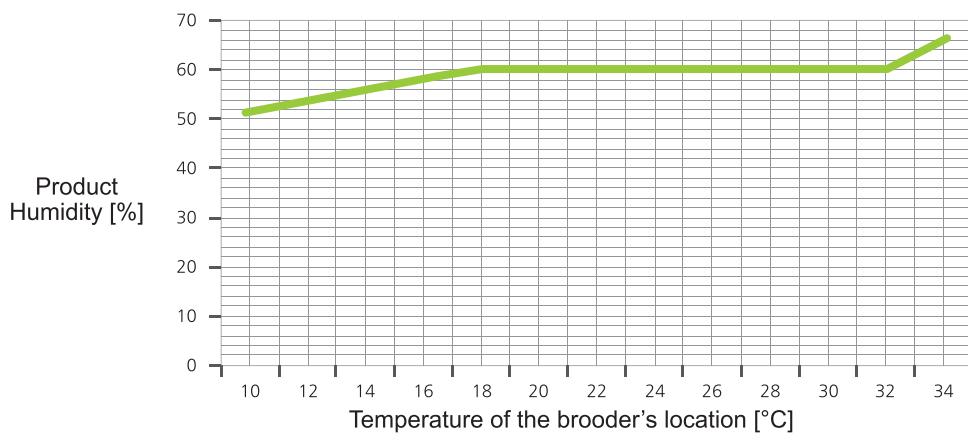
※ Difference depending on the ambient temperature and humidity



▲ 1-1. If setting the temperature to 35°C, and humidity to 60%, when the humidity of the brooder's location is above **30%**, temperature and humidity are marked in the table to the top.

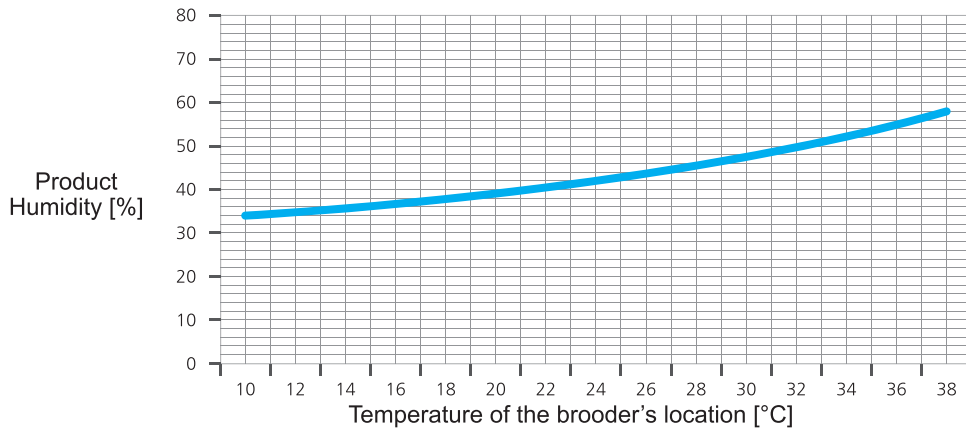


▲ 1-2. If setting the temperature to 35°C, and humidity to 60%, when the humidity of the brooder's location is above **50%**, temperature and humidity are marked in the table to the top.

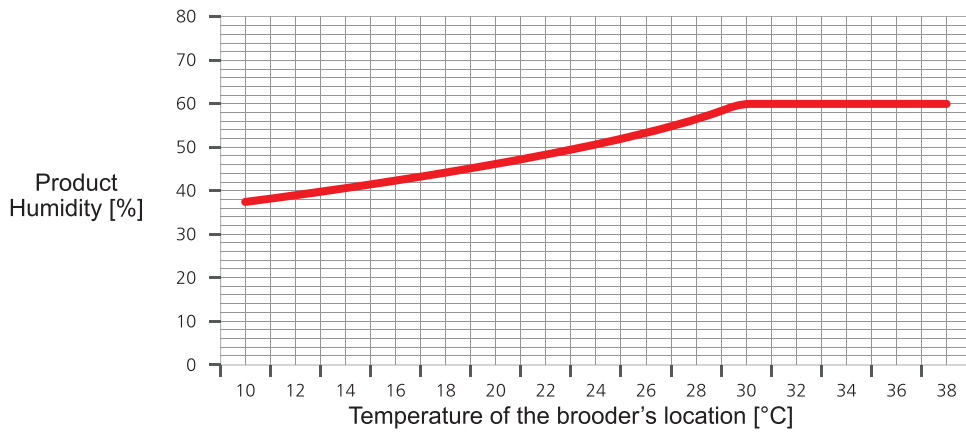


▲ 1-3. If setting the temperature to 35°C, and humidity to 60%, when the humidity of the brooder's location is above **70%**, temperature and humidity are marked in the table to the top.

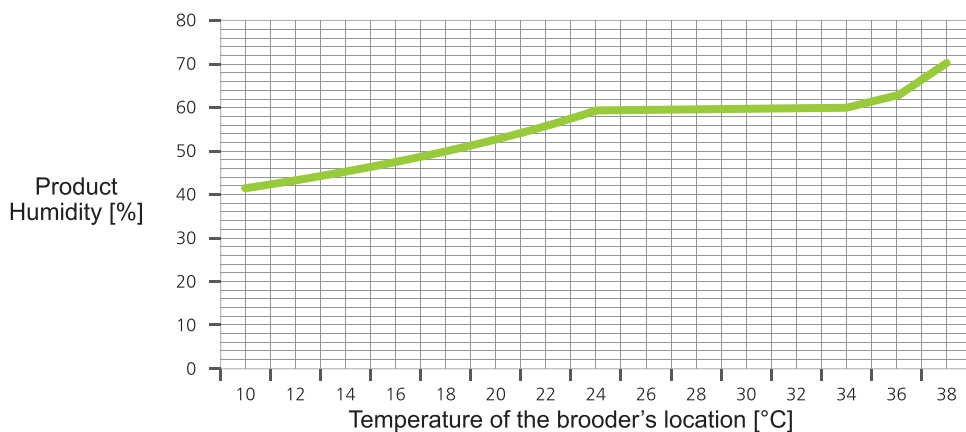
※ Difference depending on the ambient temperature and humidity



▲ 1-2. If setting the temperature to 38°C, and humidity to 60%, when the humidity of the brooder's location is above **30%**, temperature and humidity are marked in the table to the top.



▲ 2-2. If setting the temperature to 38°C, and humidity to 60%, when the humidity of the brooder's location is above **50%**, temperature and humidity are marked in the table to the top.



▲ 3-3. If setting the temperature to 38°C, and humidity to 60%, when the humidity of the brooder's location is above **70%**, temperature and humidity are marked in the table to the top.

Brooder is designed for user's easy and convenient use.
It can be changed without notice for improvement in performance, design,
treatment and software, etc.

Ver.1.2

www.autoelex.com

SELLER

MANUFACTURER

AUTOELEX CO.,LTD.

- OFFICE : 218, Sangdong-ro, Gimhae-si,
Gyeongsangnam-do, 50805 Korea
- TEL : +82-55-1588-8771
- FAX : +82-55-1544-2862
- E-MAIL : sales@autoelex.com

Choose for the best design, highest quality, value and performance!